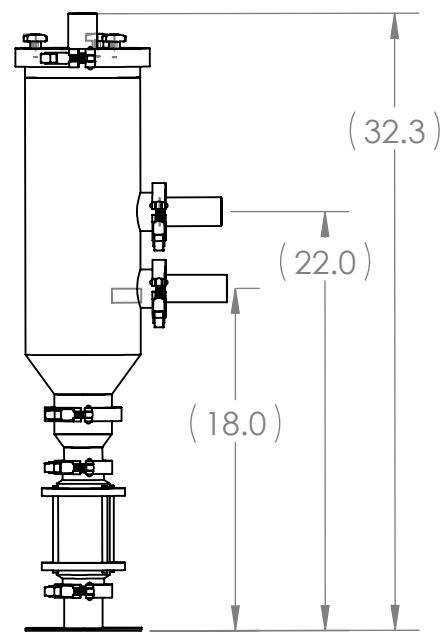


2

1

B

B

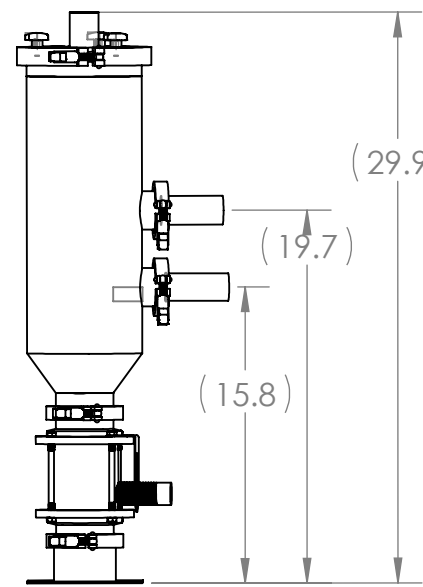


(32.3)

(22.0)

(18.0)

CA6 | 2" SIGHT-GLASS, FLNAGE



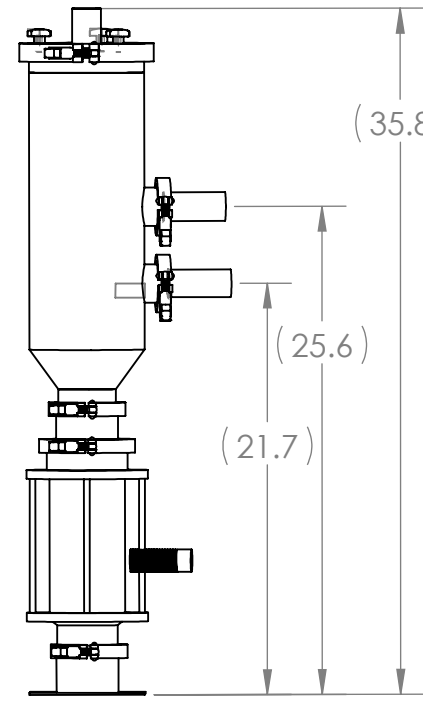
(29.9)

(19.7)

(15.8)

(6.0)

CA6 | 3" SIGHT-GLASS

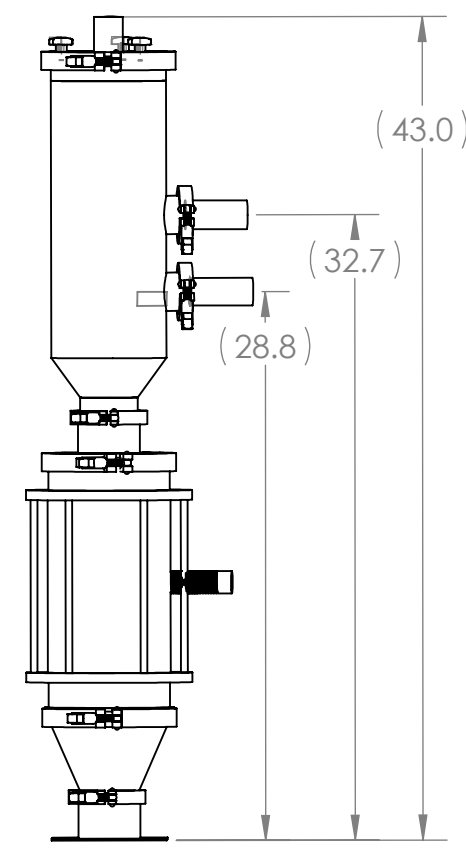


(35.8)

(25.6)

(21.7)

CA6 | 4" SIGHT-GLASS



(43.0)

(32.7)

(28.8)

CA6 | 6" SIGHT-GLASS

A

A

NOTE: CA61 SINGLE MATERIAL LOADERS HAVE THE SAME DIMENSIONS USING THE TOP TUBE.

<p>PROPRIETARY AND CONFIDENTIAL</p> <p>THE INFORMATION CONTAINED IN THIS DRAWING IS THE SOLE PROPERTY OF <INSERT COMPANY NAME HERE>. ANY REPRODUCTION IN PART OR AS A WHOLE WITHOUT THE WRITTEN PERMISSION OF <INSERT COMPANY NAME HERE> IS PROHIBITED.</p>	<p>DIMENSIONS ARE IN INCHES</p> <p>TOLERANCES:</p> <p>FRACTIONAL ±</p> <p>ANGULAR: MACH ± BEND ±</p> <p>TWO PLACE DECIMAL ±</p> <p>THREE PLACE DECIMAL ±</p>	<p>DRAWN NAME</p> <p>11/16/18</p>	<p>Advanced Auxiliary Equipment, Inc</p>	
	<p>MATERIAL</p>	<p>COMMENTS:</p>	<p>CA6 SERIES DIMENSIONS</p>	
	<p>DO NOT SCALE DRAWING</p>	<p>SIZE A</p>	<p>DWG. NO.</p> <p>CA6 DIMENSIONS</p>	<p>REV</p>
		<p>SCALE: 1:10</p>	<p>SHEET 1 OF 1</p>	

2

1