

AAEdirect

MOVACOLOR VOLUMETRIC FEEDERS

**A SIMPLE, LOW COST SOLUTION WITHOUT
SACRIFICING ACCURACY!**



Accurate additive feeding

Change colors in less than one minute!

- Stepper motor
- Digital speed control
- Digital timer
- Many dosing tools, screws & cylinders
- Quick calibration
- Heavy duty design

Easy to clean

Easy to install

MOVACOLOR
COLOR IN CONTROL

Amazing Quality!

AAEdirect

MOVACOLOR VOLUMETRIC FEEDERS

Features others cannot match.

Special deflector for consistent color feeding. Color enters near throat opening for quick color changes.

Clamped on lid

Stainless steel hopper.
6 pounds standard,
12 pounds optional



Standard sight-glass

Stepper motor for
total control.

2 and 3 inch feed throats.
Heavy duty construction

Amazing Quality!

AAEdirect

MOVACOLOR VOLUMETRIC FEEDERS

MC-12 Digital Feeder Control



A digital speed control combined with a stepper motor leads the industry with precise control of dosing. The motor turns at exactly the same speed for the same time each and every dose.

- Large digital display
- Set speed RPM
- Set feed time
- Relay or time mode
- Test button for calibration
- 24VDC or open relay interface

MOVACOLOR
COLOR IN CONTROL

Amazing Quality!

Screws and dosing cylinders to match any application.

Matching the dosing tool to the application is the key to accurate feeding.

The accuracy of a feeder is determined by the resolution of the dosing tool. Resolution is the smallest amount a dosing tool can repeatedly control. Screws have a resolution of one rotation. Dosing cylinders feed consistently without pulses and can be controlled to less than a revolution. Always use the smallest doser that will feed the amount needed for the best accuracy.

Dosing cylinders provide a constant feed rate providing the most accurate control. They feature an internal spiral inside a rotating tube. Use them when accuracy is very important. As with all spiral dosers they are subject to materials that create static and blow back from compressed air loaders and vacuum loaders with filter cleaning.

Dosing screws are very accurate, suitable for most applications. They are not subject to static and withstand blow back from compressed air loaders and vacuum loaders with filter cleaning.

Calculate Grams per Second

Shot size * Percentage of additive

100*.05=5 grams for 5% of a 100 gram shot.

Divide grams of additive by fill time seconds

5/6=.83 grams per second



Doser	Type	Rate GPS
GLX	Cylinder	.02-1.6
GX	Cylinder	.2-5
HX	Cylinder	.01-1.6
A-8	Screw	.002-1
A-10D	Screw	.05-3.3
A-15	Screw	.2-5
A-20	Screw	.5-20
A-30	Screw	2-50

Amazing Quality!

AAEdirect

MOVACOLOR VOLUMETRIC FEEDERS

Options other cannot match.

True production sample port.
Our competitors don't want you to
know what you are really getting!

Mounting flange for Class 3A
AAE series loaders

Side mounted control box.



Quick Clean System
With locking clamps.



Venturi Loader
8 Port Venturi
Over-sized filter
Simple control
Optional No-Load Alarm

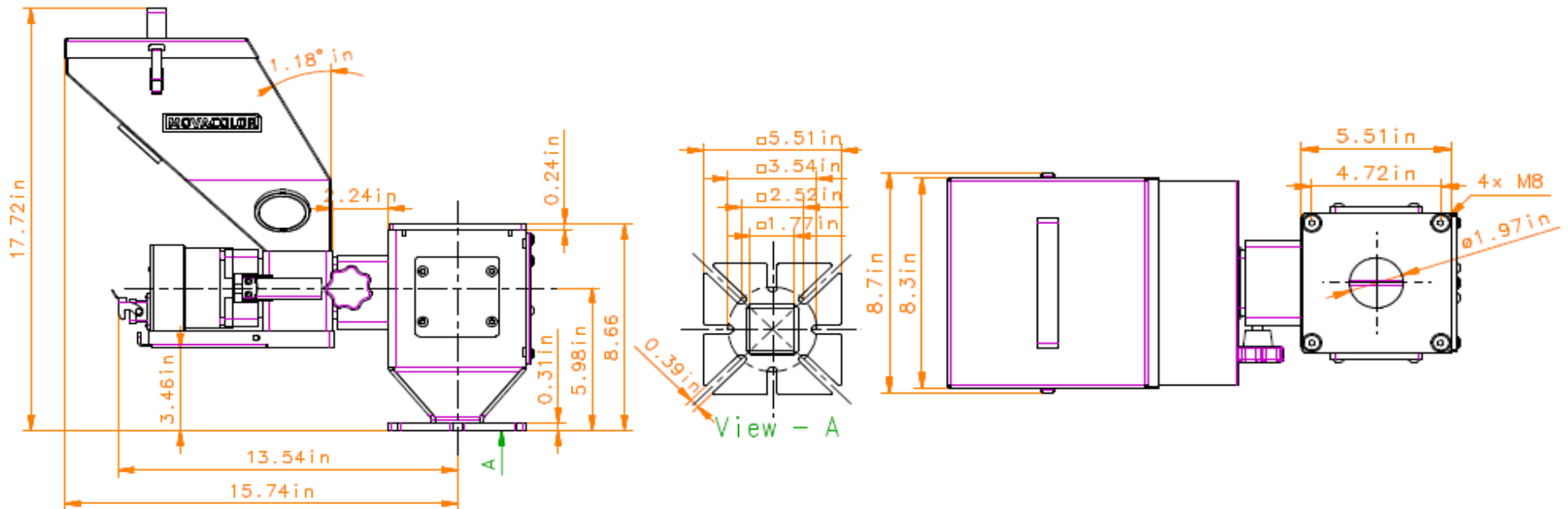
MOVACOLOR
COLOR IN CONTROL

Amazing Quality!

AAE*direct*

MOVACOLOR VOLUMETRIC FEEDERS

Dimensions to fit any machine.



CALL NOW!
(800) 918-5820

AAE*direct*

MOVACOLOR
COLOR IN CONTROL

AAE

ADVANCED AUXILIARY EQUIPMENT, INC.
P.O. BOX 568
MATHEWS, VA 23109