

AAEdirect

MOVACOLOR GRAVIMETRIC FEEDERS

Fully automated additive feeders



Accurate additive feeding

Change colors in less than one minute!

- Accurate loss in weight system
- Stepper motor
- Automatic speed control
- Digital timer or relay mode
- Many dosing tools, screws & cylinders
- Heavy duty design

Easy to clean

Easy to install

MOVACOLOR
COLOR IN CONTROL

Amazing Quality!

AAEdirect

MOVACOLOR GRAVIMETRIC FEEDERS

Features others cannot match.

Clamped on lid

Stainless steel hopper.
6 pounds standard,
12 pounds optional

Standard sight-glass

Stepper motor for
total control.

Special deflector for consistent
color feeding. Color enters
near throat opening for quick
color changes.

Patented support frame with
single weigh cell.

2 and 3 inch feed throats.
Heavy duty construction

Quick disconnect for easy cleaning.
Slide-gate to empty hopper quickly.



MOVACOLOR
COLOR IN CONTROL

Amazing Quality!

MCBalance Digital Feeder Control



Just enter the shot size and percentage of additive. Visible LED display in plain English. A simple navigation menu for access to all of your options and parameters.

- Enter shot size
- Enter additive percentage
- Relay or time mode
- 24VDC or open relay interface
- Load cell calibration
- Recipes / Jobs
- Low level alarm output
- Venturi loader control
- USB Port

Color Touch Control



Display and control multiple feeders from one control.



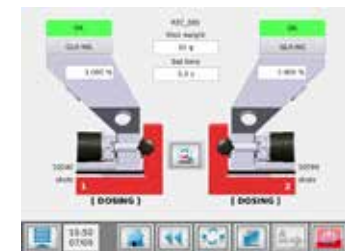
Full color graphic touch control. All the standard control features and more!

User friendly graphic interface.

Control several feeders from one control.

Free MC Smart software for one feeder.

MC Smart computer interface with control and data reports.



Monitor and control from any PC with MCSmart software.

Screws and dosing cylinders to match any application.

Matching the dosing tool to the application is the key to accurate feeding.

The accuracy of a feeder is determined by the resolution of the dosing tool. Resolution is the smallest amount a dosing tool can consistently control. Screws have a resolution of one rotation. Dosing cylinders feed consistently without pulses and can be controlled to less than a revolution. Always use the smallest doser that will feed the amount needed for the best accuracy.

Dosing cylinders provide a constant feed rate providing the most accurate control. They feature an internal spiral inside a rotating tube. Use them when accuracy is very important. As with all spiral dosers they are subject to materials that create static and blow back from compressed air loaders and vacuum loaders with filter cleaning.

Dosing screws are very accurate, suitable for most applications. They are not subject to static and withstand blow back from compressed air loaders and vacuum loaders with filter cleaning.



Doser	Type	Rate GPS
GLX	Cylinder	.02-1.6
GX	Cylinder	.2-5
HX	Cylinder	.01-1.6
A-8	Screw	.002-1
A-10D	Screw	.05-3.3
A-15	Screw	.2-5
A-20	Screw	.5-20
A-30	Screw	2-50

Calculate Grams per Second

Shot size * Percentage of additive

100*.05=5 grams for 5% of a 100 gram shot.

Divide grams of additive by fill time seconds

5/6=.83 grams per second

Amazing Quality!

Options other cannot match.

Stainless steel hopper
6 or 12 pounds

Quick Clean System
With locking clamps
and sample port.



Side mounted control box.

2 or 3 inch square throat

True production sample port.
Our competitors don't want
you to know what you are
really getting!

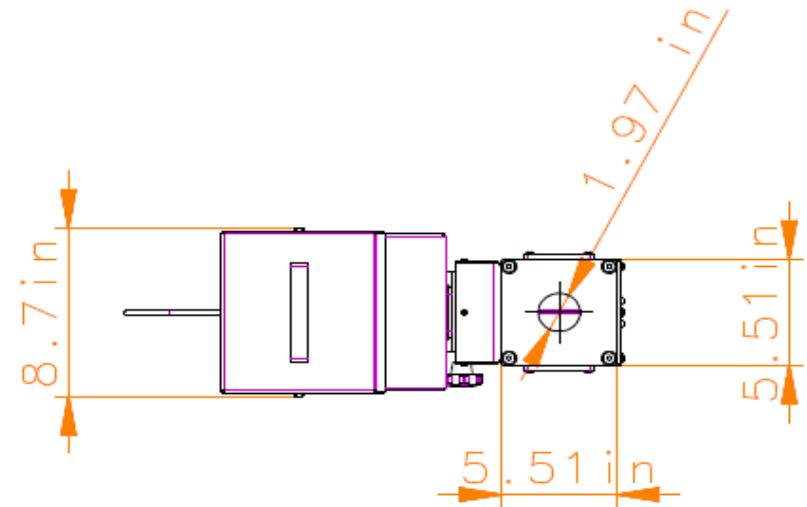
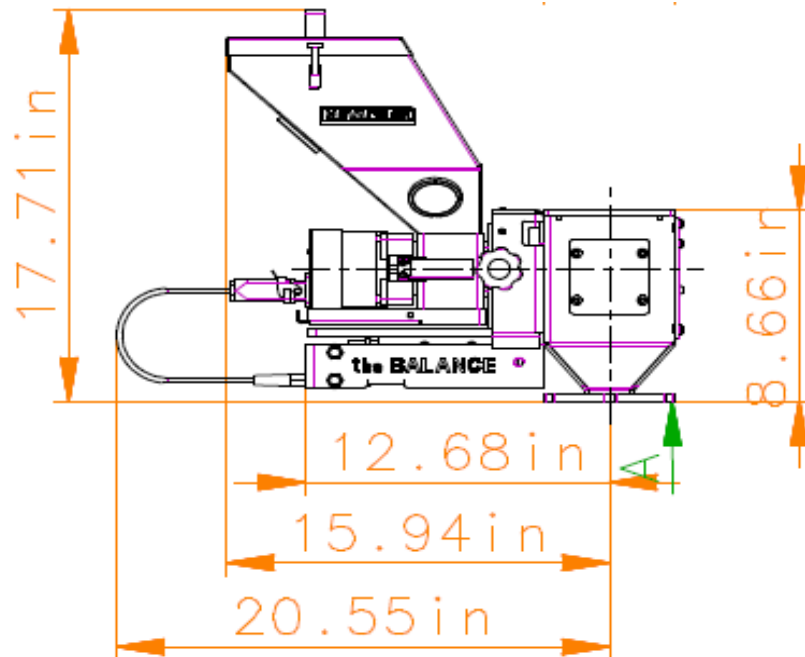


Venturi Loader
8 Port Venturi
Over-sized filter
Simple control
Optional No-Load Alarm

AAEdirect

MOVACOLOR GRAVIMETRIC FEEDERS

Dimensions to fit any machine.



CALL NOW!
(800) 918-5820

AAEdirect

MOVACOLOR
COLOR IN CONTROL

AAE

ADVANCED AUXILIARY EQUIPMENT, INC.
P.O. BOX 568
MATHEWS, VA 23109